

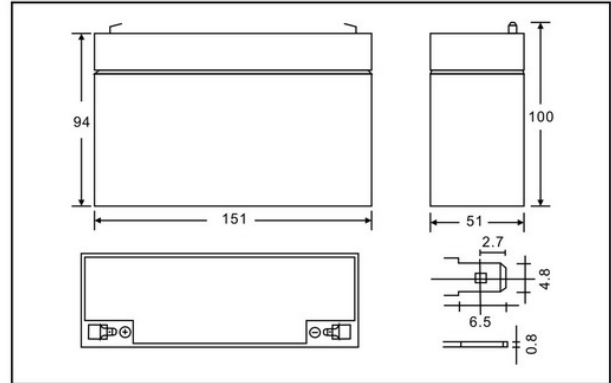


## Akumulator żelowy VIPOW 6V 12Ah



### Plane Chart:

Unit:(mm) Terminal type:(F1)



ISO9001  
ISO140001  
OHSAS18001

### Characteristic:

- 1.100% testing before out of factory, stable and reliable quality is guaranteed.
2. Professional alloy formula and advanced manufacturing techniques.
3. Completely sealed and maintenance free, low self-discharge.
4. Good charge-discharge acceptability.
5. Cyclic application: deep cycle charge-discharge for more than 260 times.
6. Floating application: for 3-5 years.

### Application:

- Anti-theft system
- Radio transceiver
- Power system
- Railroad engine and railway communication
- Emergency lighting and lamps
- Electric tools
- Electronic instruments and other backup power
- Medical facilities
- UPS for banking system
- Computer backup power
- Marine system
- UPS for fire fighting system
- Toys

### Parts:

Executed Standard:GB/T 19639.1-2005

Cover	Container Bottom	Terminal	Positive Plate	Negative Plate	Separator	Electrolyte	Safety Valve	Seal Glue
ABS	ABS	Copper	PbO <sub>2</sub>	Pb	AGM	dilute sulphuric acid	Rubber	Epoxy Resin

### Packing

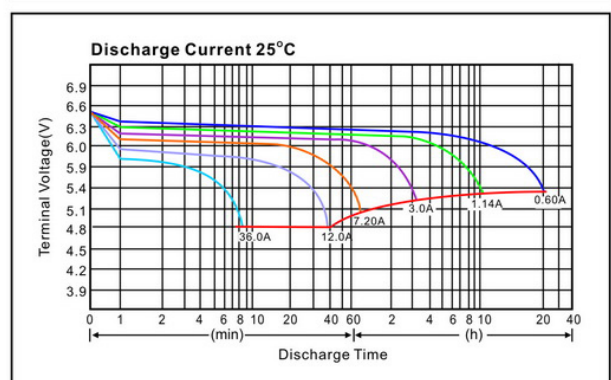
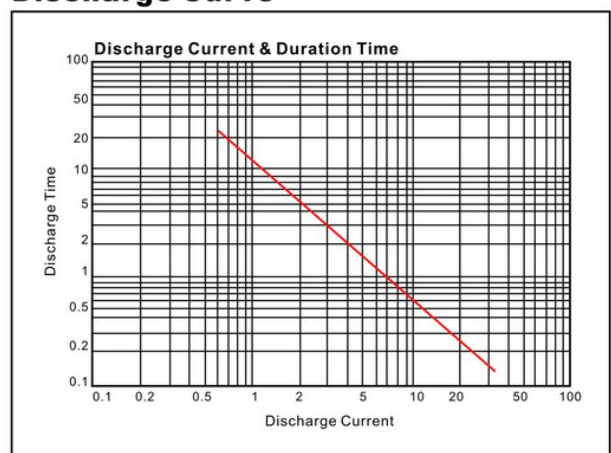
Date	Battery Packing	Inner Packing	Outer Packing
① Printing	① Polybag	Paper Box	Carton Packing
② Branded	② Shrink		
Carton Sealing		Accessories	
① Packing Strap	Bolts&nuts	Mini Charger	
② Shrink	With	Optional	

### Parameter Chart:

Volts		6V	
Capacity(25°C)	20 hours rate (0.6A)	12Ah	
Discharge Current Testing (25°C)	20 I <sub>20</sub> rate (12A, 27min)	38min	
	60 I <sub>20</sub> rate(36A, 7min)	8.5min	
Internal Resistance	Full Charged Battery 25°C	8mΩ	
Capacity Affected By Temperature (20 hours rate)	40°C	102%	
	25°C	100%	
	0°C	85%	
	-15°C	62%	
Residual Capacity (25°C)	Capacity After 3 Months Storage	91%	
	Capacity After 6 Months Storage	82%	
	Capacity After 12 Months Storage	64%	
Cycle (Above 300 Time)	Discharge 2hrs at 3.0A Current Charge 6hrs at 1.2A Current (25°C)		
Charge (Constant Voltage)	Cycle (25°C)	Initial Charging Current Less Than 3.6A Voltage 7.25~7.45V	
	Float (25°C)	Charge Voltage 6.8~6.9V	
Weight (Approx)		1.81Kg	

★The above are average and date obtained from the first 3 charge/discharge cycles. These are not minimum values.

### Discharge Curve





Constant Current Discharge (Amperes) at 25°C (77°F)												
F.V/Time	5min	10min	15min	30min	1Hr	2Hr	3Hr	4Hr	5Hr	6Hr	10Hr	20Hr
1.80V/cell	33.12	24.84	18.00	12.12	7.08	3.96	3.000	2.400	2.112	1.728	1.128	0.588
1.75V/cell	34.32	25.32	18.36	12.36	7.18	4.08	3.120	2.520	2.160	1.752	1.152	0.600
1.70V/cell	37.44	26.88	19.44	12.84	7.32	4.20	3.204	2.556	2.196	1.788	1.174	0.610
1.65V/cell	41.16	29.16	21.12	13.56	7.32	4.22	3.240	2.587	2.220	1.800	1.188	0.612
1.60V/cell	44.64	30.60	22.20	14.16	7.44	4.32	3.264	2.604	2.244	1.836	1.200	0.624

Constant Power Discharge (Watts/cell) at 25°C (77°F)												
F.V/Time	5min	10min	15min	30min	1Hr	2Hr	3Hr	4Hr	5Hr	6Hr	10Hr	20Hr
1.80V/cell	216.94	159.70	127.98	76.10	43.67	23.66	17.485	14.451	12.060	10.131	6.736	3.528
1.75V/cell	251.06	172.98	133.88	79.02	44.97	24.12	17.838	14.709	12.240	10.286	6.840	3.600
1.70V/cell	266.76	179.24	137.99	80.82	45.79	24.53	18.000	14.966	12.308	10.491	6.876	3.618
1.65V/cell	278.75	183.53	141.16	81.94	46.34	24.79	18.130	15.120	12.352	10.594	6.890	3.625
1.60V/cell	288.00	187.20	144.00	82.80	46.80	25.05	18.230	15.274	12.384	10.697	6.890	3.625

## Loading Info

Master Carton			Pallet			20 GP	
Pcs/Ctn	Size(mm)	N.W.(kg)	Size(mm)	Total CTNS	N.W.(T)	Pallet Qty	Battery Qty(pcs)
10 PCS	310*260*125	18.10					