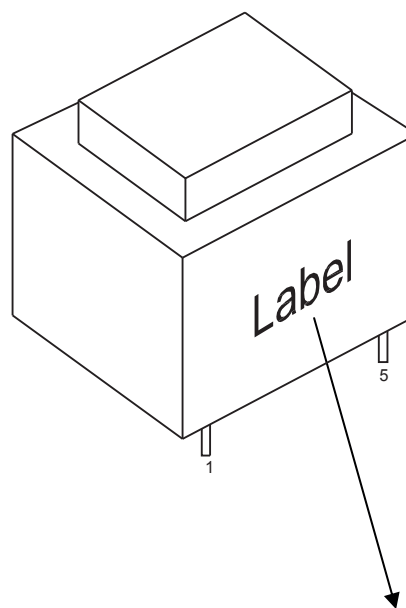
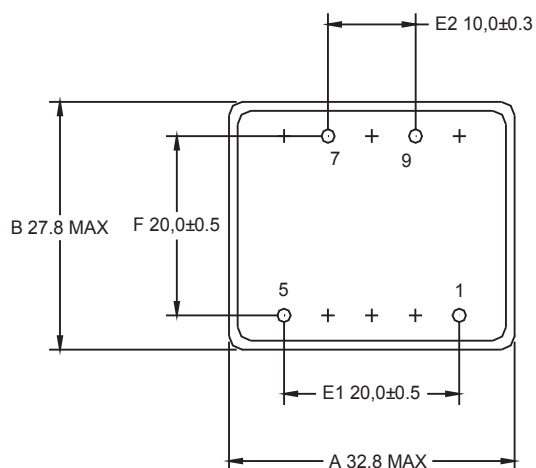
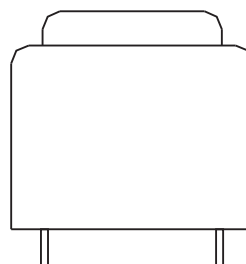
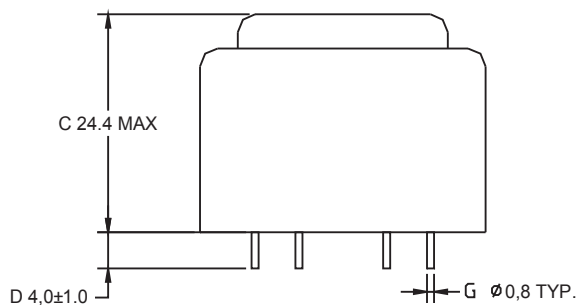


TR Z01.50/2x12b II

1. Physical Dimension (UNIT: mm)



	TR Z01.50/2x12b II
MICROS	PRI 230V~ 50/60Hz 1-5
	SEC 12V~ 0.75VA 6-7
	12V~ 0.75VA 9-10
	ta 70/B

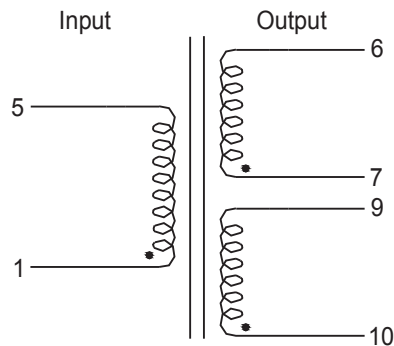
TR Z01.50/2x12b II

1. SAFETY STANDARD: EN61558 CORE SIZE: EI-30
2. ELECTRICAL PERFORMANCE:
 - 2-1. PRIMARY RATED VOLTAGE: AC 230 V / 50 Hz
 EXCITING CURRENT: 12 mA MAX. LOSS POWER: 0.9 W MAX.
 - 2-2. SECONDARY RATED VOLTAGE AND CURRENT:

	UNLOAD VOLTAGE	LOADING VOLTAGE	RATED CURRENT	DC RESISTANCE
P: 1--5				3100 Ω ±10%
S1: 6--7	19.3VAC Max	12.5VAC ±10%	63mA	54.6 Ω ±15%
S2: 9--10	19.3VAC Max	12.5VAC ±10%	63mA	47.5 Ω ±15%

3. INSULATION RESISTANCE TEST:
500V DC 100MΩ min. FOR 1 MIN. (PRODUCTION LINE FOR 2S.) (PRI-SEC. & PRI.-CORE)
4. HI-POT TEST:
 SHALL WITHSTAND WITHOUT BREAKDOWN

 AC 3.75 KV FOR 1 MIN. OR AC 4.2 KV FOR 1S. (PRI.-SEC. & PRI.-CORE.)
 (CUT-OFF CURRENT 1 mA)
5. TEMPERATURE RISE TEST: (Ta=25°C INPUT 230V 50Hz)
 PRI. & SEC. WINDING'S TEMPERATURE RISE 45°C MAX. AT RATED LOAD. (RESISTANCE METHOD)
6. ELECTRICAL SCHEMATIC:



7. MAJOR MEASUREMENT FACILITIES:
 - A. DC-RESISTANCE METER: TH2512B
 - B. VOLTMETER: GDW4033A
 - C. AMPEREMETER: GDW4033A
 - D. TURN RATIO DETECTOR: YG-108R
 - E. HI-POT TESTER: CS5603
 - F. INSULATION-RESISTANCE METER: CS5603
 - G. MILIVOLTMETER: FLUCK 287
 - H. MULTI-FUNCTION OSCILLOSCOPE :DS-8608A
8. THE ABOVE-MENTIONED MEASUREMENT IS BASED ON THE BEGINNING OF AMBIENT TEMPERATURE.
9. Net Weight: 82 g/PCS