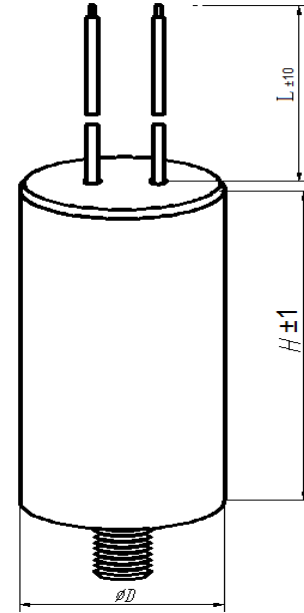


Customer ' s name 客户名称 :					Customer recognizes 客户承认:	
NO. 序号	Specified voltage and frequency 额定电压及频率	Specified capacity and capacity deviation 额定电容及电容偏差	Over all dimension 外形尺寸 (mm) ($\phi D \times H$) ± 0.5	Remark 备注		
1	450VAC 50/60Hz	10 μ F $\pm 10\%$	35 \times 60M8			
2	450VAC 50/60Hz	80 μ F $\pm 10\%$	55 \times 120M8			
Carry out standard 推行标准	GB 3667.1-2016/IEC60252-1: 2013					
Operating temp range 使用温度范围	-25 \sim +70 $^{\circ}$ C	Lifespan garden 寿命等级	C CLASS			
Withstanding standard 耐电压	Between terminals 端子相互间	2.0UN 2S无击穿及飞弧现象				
	Terminals to case 端子与外壳间 (金属外壳)	-----				
Capacitance tolerance 电容偏差	$\pm 10\%$					
Loss angle tangent	≤ 0.0020 (100 Hz)					
Shape	See right picture					
	Condenser fuse	Have self-healing				
Case	White of plastics outer shell				drafts system:	Name:CBB60 metallized polypropylene film capacitor. CBB60



	Terminals	2.5-2.8mm ² black wire	Approval	Wenling jiyang capacitor co.,LTD
	Filling	Epoxy resin		