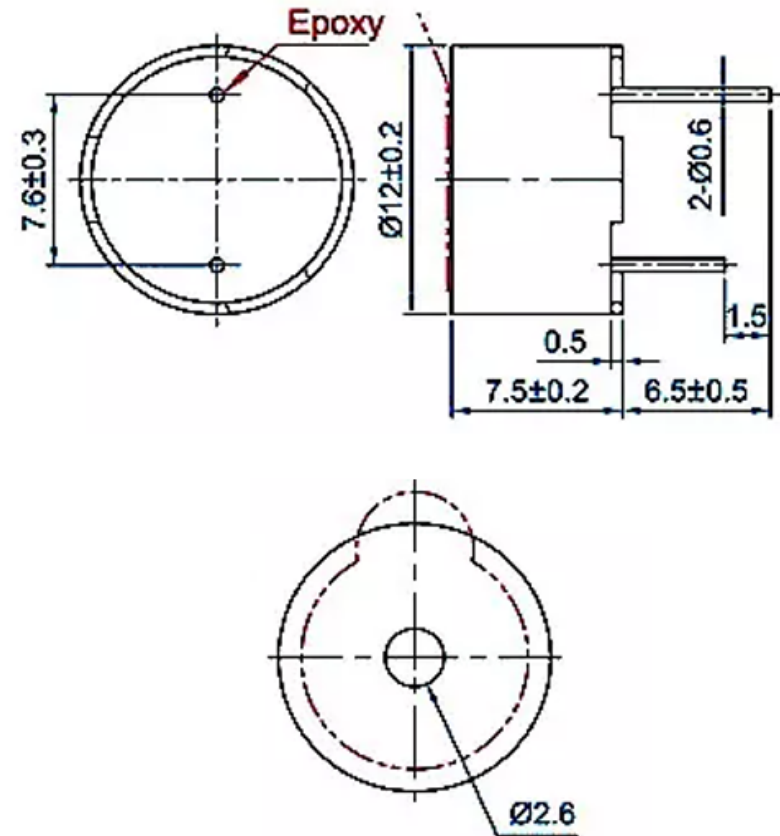
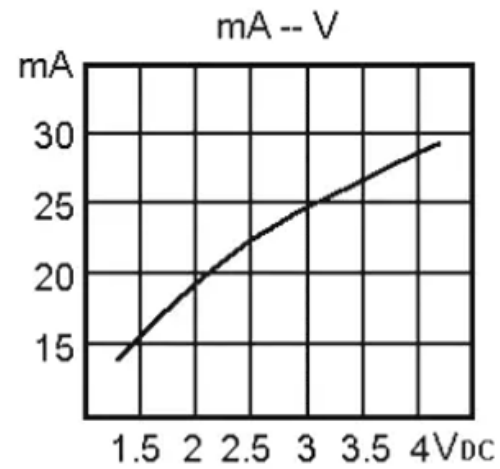
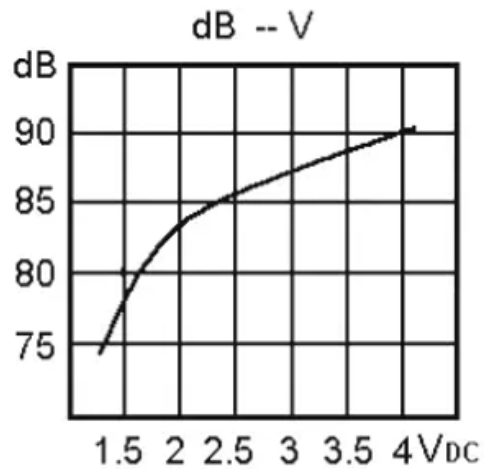


SPECIFICATION		
1	Model No.	CFG06-E
2	Rated Voltage (VDC)	6
3	Operating Voltage (VDC)	4.0~8.0
4	*Resonant Frequency (KHz)	2.3±0.3
5	*Sound Output at 10cm (dB)	≥85
6	*Current Consumption (mA)	≤30
7	Operating Temperature (°C)	-20~+70
8	Storage Temperature (°C)	-30~+80
9	Weight (g)	1.8
10	Housing Material	PPO
11	Rohs	Yes



REVISION HISTORY			
LTR	DESCRIPTION	DATE	APPROVED
-	RELEASED FROM ENGINEERING	9/23/2003	Y M
A			
C			
B			



NOTES:

- 1.ALL DIMENSIONS ARE IN MILLIMETERS
- 2.SPECIFICATIONS SUBJECT TO CHANGE WITHOUT NOTICE