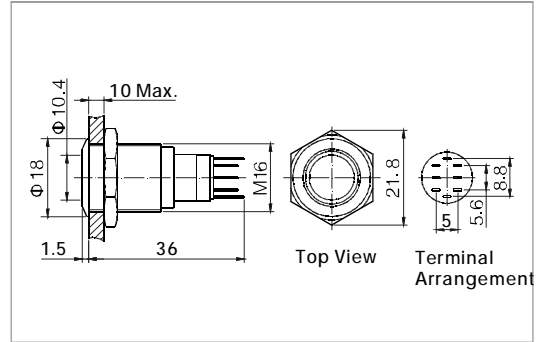


METAL PUSHBUTTONS



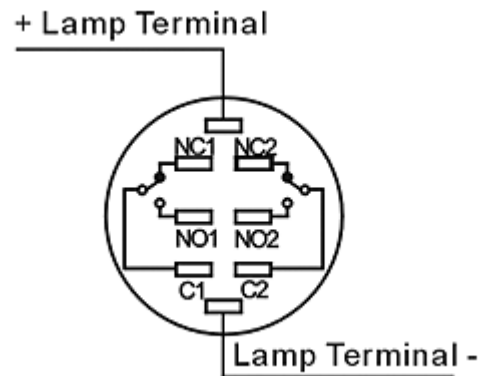
LAS2GQH-□□□

- Φ 16mm diameter
- 3A/250VAC
- 1NO1NC/2NO2NC
- Front Shape: Flat Round
- Crust material: Stainless Steel/ Brass(Nikel Plated, Gold Plated)
- Ring Illuminated
- IP Degree: IP40/IP67



Specification	LAS2GQH-□□□E	
The Front Shape	Flat Round High Round	
Terminal Type	Pin Terminal(1.8×0.4mm)	
Switching	No.3	
Max.Switch Rating	3A/250VAC	
Contact Resistance	≤50mΩ	
Insulation Resistance	≥1000MΩ	
Dielectric Strength	2000VAC	
Operation Temp.	-20°C ~ +70°C	
Mechanical Life	1,000,000cycles	
Electrical Life	50,000 cycles	
Contact Material	Silver Alloy	
Panel Thickness	1 ~ 10mm	
Torque	5 ~ 14Nm	
Operation Temp.	5.5N	
IP Degree	IP40/IP67	
Material	Button	Stainless Steel/Brass(Nikel Plated,Gold Plated)
	Body	Stainless Steel/Brass(Nikel Plated,Gold Plated)
	Base	PBT
	RoHS	Made to order
LED Spec.	Type	Ring Illuminated(LED)
	Rated Voltage	6V / 12V / 24V / 110V / 220V
	Color	R G Y O B W
	Life	40,000 hours

□ Circuit Diagram



Switch Ratings

Thermal Current(Ith)		30A		
Rated Voltage		24A	125V(110V)	250V(220V)
Direct Current(DC)		1A	0.2A	0.1A
AC	P.F=1		1A	0.5A
	P.F=0.7		0.7A	0.5A